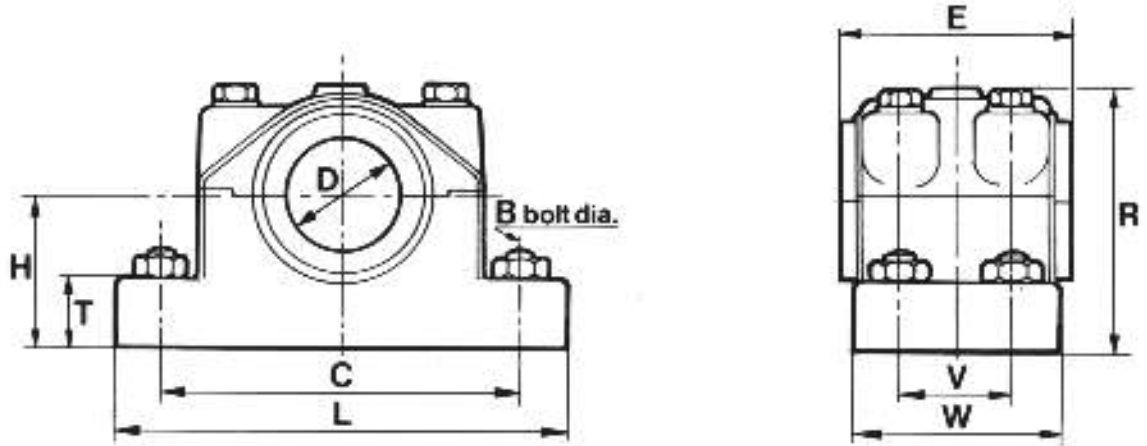


**DIN506
HEAVY DUTY
PLUMMER
BLOCK. (4 Bolt)**

Fully split cast iron housing with split gunmetal bearing, suitable for grease lubrication



Metric Dimensions are shown but all bearings can be supplied in Imperial sizes. All bearings in the Arvis ranges follow a similar system for ordering. The first two or three characters describe the range followed by the shaft size i.e. 50M. Imperial sizes are measured in 1/16" i.e. 16E = 1". Sample ordering. DN6-60M (for a 60mm shaft) - DN6-64E (for a 4" shaft)

D mm	CODE	ARVIS REF	CAST NO	E	L	C	V	H	R	W	T	Bolt Dia	Weight
55	DIN506-55M	DN6-55M	A1001/2	120	230	180	60	80	140	105	35	M16	10.5
60	DIN506-60M	DN6-60M											
70	DIN506-70M	DN6-70M	A1005/6	130	260	210	65	90	155	115	45	M16	14.5
75	DIN506-70M	DN6-70M	A1009/10	140	300	240	70	100	170	130	50	M20	26
80	DIN506-80M	DN6-80M											
90	DIN506-90M	DN6-90M	A1013/4	160	330	270	80	100	180	140	50	M20	26
100	DIN506-100M	DN6-100M	A1017/8	180	360	300	90	110	210	155	55	M24	48
110	DIN506-110M	DN6-110M											
120	DIN506-120M	DN6-120M	A1021/2	200	400	330	100	120	235	170	60	M24	48
125	DIN506-125M	DN6-125M											
130	DIN506-130M	DN6-130M											
140	DIN506-140M	DN6-140M	A1025/6	220	440	360	110	130	260	190	65	M30	59
150	DIN506-150M	DN6-150M											
160	DIN506-160M	DN6-160M	A1029/30	260	530	450	130	170	320	220	70	M30	115
180	DIN506-180M	DN6-180M											
200	DIN506-200M	DN6-200M	A1033/4	300	680	580	160	240	425	260	80	M30	234
220	DIN506-220M	DN6-220M											
240	DIN506-240M	DN6-240M	A1037/8	355	750	630	180	265	475	300	100	M36	440
260	DIN506-260M	DN6-260M											
280	DIN506-280	DN6-280M	A1041/2	400	850	700	200	315	555	335	120	M42	540