

SF (ISO) Series

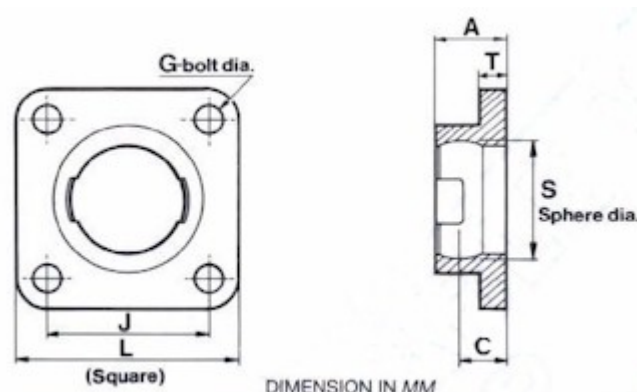
STEEL 4 BOLT FLANGE HOUSINGS.
(Also available in Stainless Steel)

Guaranteed against breakage



Heavy-duty steel housings for self aligning ball bearing inserts.
For use in arduous conditions where cast iron units break due to shock, vibration, over-load or impact.

To suit any manufacturers insert*



SF (ISO) Series Dimensions.

Part No	BRG**	ØSPH	L	C	J	A	T	BOLT
SF1T	1017	40	76.2	17	54	24.6	9.5	10
SF2T	1020	47	85.7	20	63.5	30	11.1	10
SF3T	1025	52	95.3	20	70	30	11.1	10
SF4T	1030	62	108	20	82.5	32	12.7	10
SF5T	1035	72	117.5	21	92	34	12.7	12
SF6T	1040	80	130.2	23	101.5	37	12.7	12
SF7T	1045	85	136.5	25	105	38	14.3	16
SF8T	1050	90	142.9	26	111	41	14.3	16
SF9T	1055	100	161.9	30	130	44	17.5	16
SF10T	1060	110	174.5	35	143	48	17.5	16
SF10/65T	1065	120	174.5	35	143	48	18	16
SF11/65T	1065	120	187.5	30	149.2	48	18	16
SF11T	1070	125	187.5	32	149.2	48	18	20
SF12T	1075	130	196.5	36.5	152.4	52	23	20

* Arvis must be notified of the manufacturer of the inserts to ensure the regrease facility and allen screw access facility match.

** Figures shown are NSK-RHP references.

Please enquire if the size you require is not listed or if you require any modifications.