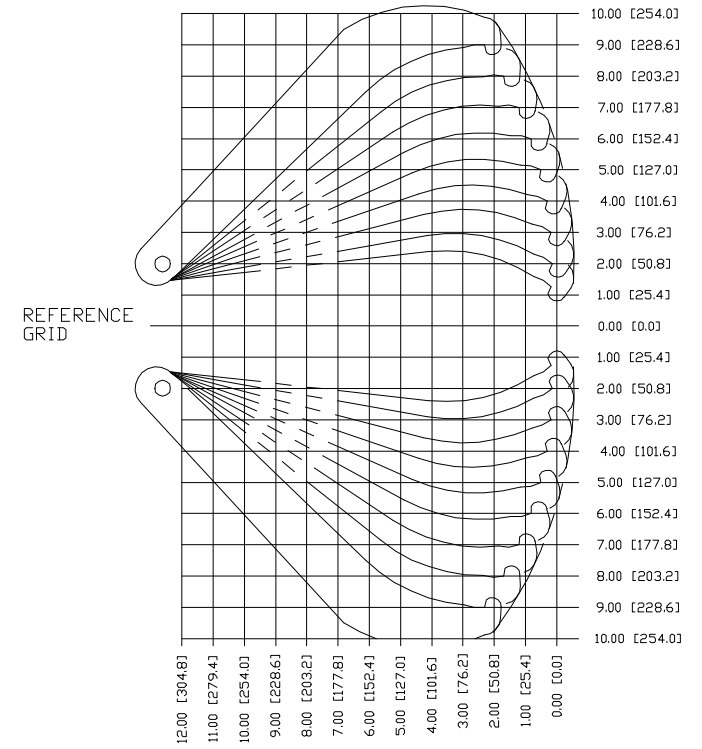
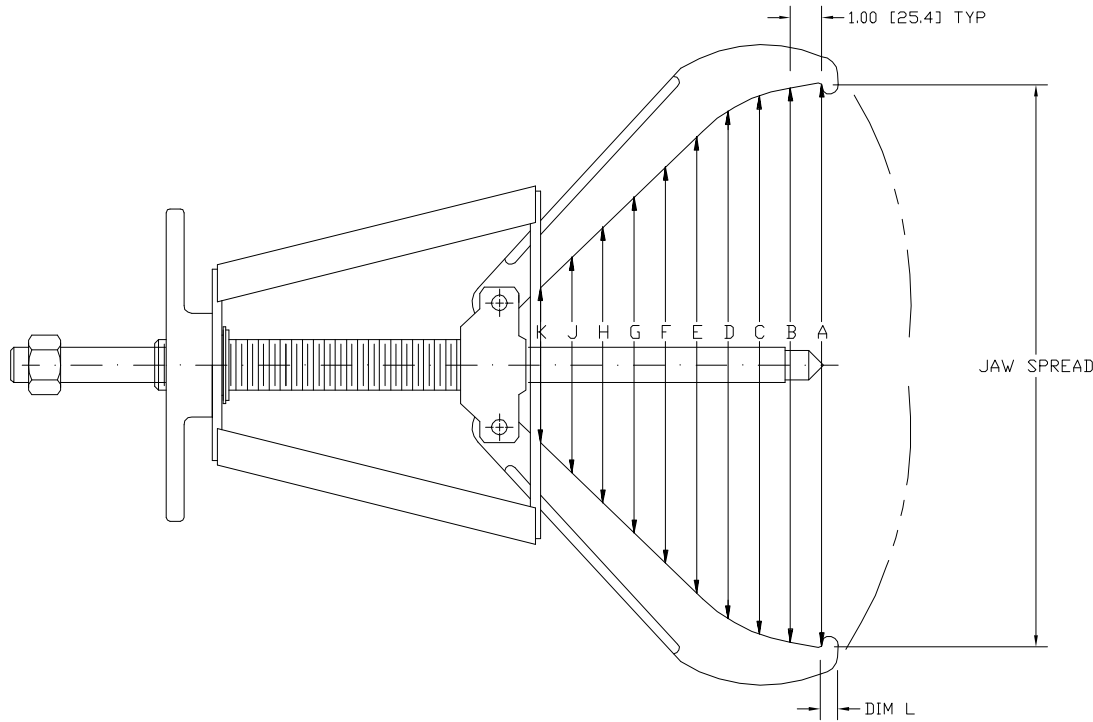


# 113 / 213 Manual Puller



JAW SPREAD	DIM A	DIM B	DIM C	DIM D	DIM E	DIM F	DIM G	DIM H	DIM J	DIM K	DIM L
2.50 [63.5]	4.53 [115.1]	4.82 [122.4]	<b>4.73</b> [120.1]	4.51 [114.6]	4.29 [109.0]	<b>4.06</b> [103.1]	3.84 [97.5]	3.62 [91.9]	<b>3.40</b> [86.4]	3.18 [80.8]	0.617 [15.67]
4.00 [101.6]	5376.00 [136550.7]	5.94 [150.9]	<b>5.74</b> [145.8]	5.40 [137.2]	5.05 [128.3]	<b>4.71</b> [119.6]	4.36 [110.7]	4.02 [102.1]	<b>3.67</b> [93.2]	3.33 [84.6]	0.618 [15.70]
6.00 [152.4]	7.38 [187.5]	7.45 [189.2]	<b>7.12</b> [180.8]	6.61 [167.9]	6.09 [154.7]	<b>5.58</b> [141.7]	5.07 [128.8]	4.55 [115.6]	<b>4.04</b> [102.6]	3.53 [89.7]	0.615 [15.6]
8.00 [203.2]	9.02 [229.1]	8.98 [228.1]	<b>8.56</b> [217.4]	7.87 [199.9]	7.18 [182.4]	<b>6.49</b> [164.8]	5.80 [147.3]	5.11 [129.8]	<b>4.42</b> [112.3]	3.73 [94.7]	0.609 [15.47]
10.00 [254.0]	10.68 [271.3]	10.57 [268.5]	<b>10.07</b> [255.8]	9.21 [233.9]	8.33 [211.6]	<b>7.46</b> [189.5]	6.58 [167.1]	5.70 [144.8]	<b>4.82</b> [122.4]	3.94 [100.1]	0.598 [15.2]
12.00 [304.8]	12.38 [314.5]	12.23 [310.6]	<b>11.67</b> [296.4]	10.68 [271.3]	9.59 [243.6]	<b>8.51</b> [216.2]	7.42 [188.5]	6.34 [161.0]	<b>5.25</b> [133.4]	4.16 [105.7]	0.583 [14.81]
14.00 [14.1]	14.14 [359.2]	13.97 [354.8]	<b>13.40</b> [340.4]	12.33 [313.2]	11.01 [279.7]	<b>9.69</b> [246.1]	8.37 [212.6]	7.04 [178.8]	<b>5.72</b> [145.3]	4.40 [111.8]	0.564 [14.3]
16.00 [16.0]	15.97 [405.6]	15.82 [401.8]	<b>15.25</b> [387.4]	14.20 [360.7]	12.65 [321.3]	<b>11.05</b> [280.7]	9.46 [240.3]	7.86 [199.6]	<b>6.27</b> [159.3]	4.67 [118.6]	0.539 [13.69]
18.00 [457.2]	18.00 [457.2]	17.77 [451.4]	<b>17.26</b> [438.4]	16.27 [413.3]	14.63 [371.6]	<b>12.70</b> [322.6]	10.77 [273.6]	8.85 [224.8]	<b>6.92</b> [175.8]	4.99 [126.7]	0.508 [12.90]

## POSI LOCK MODELS 113\213 GEAR AND BEARING PULLER

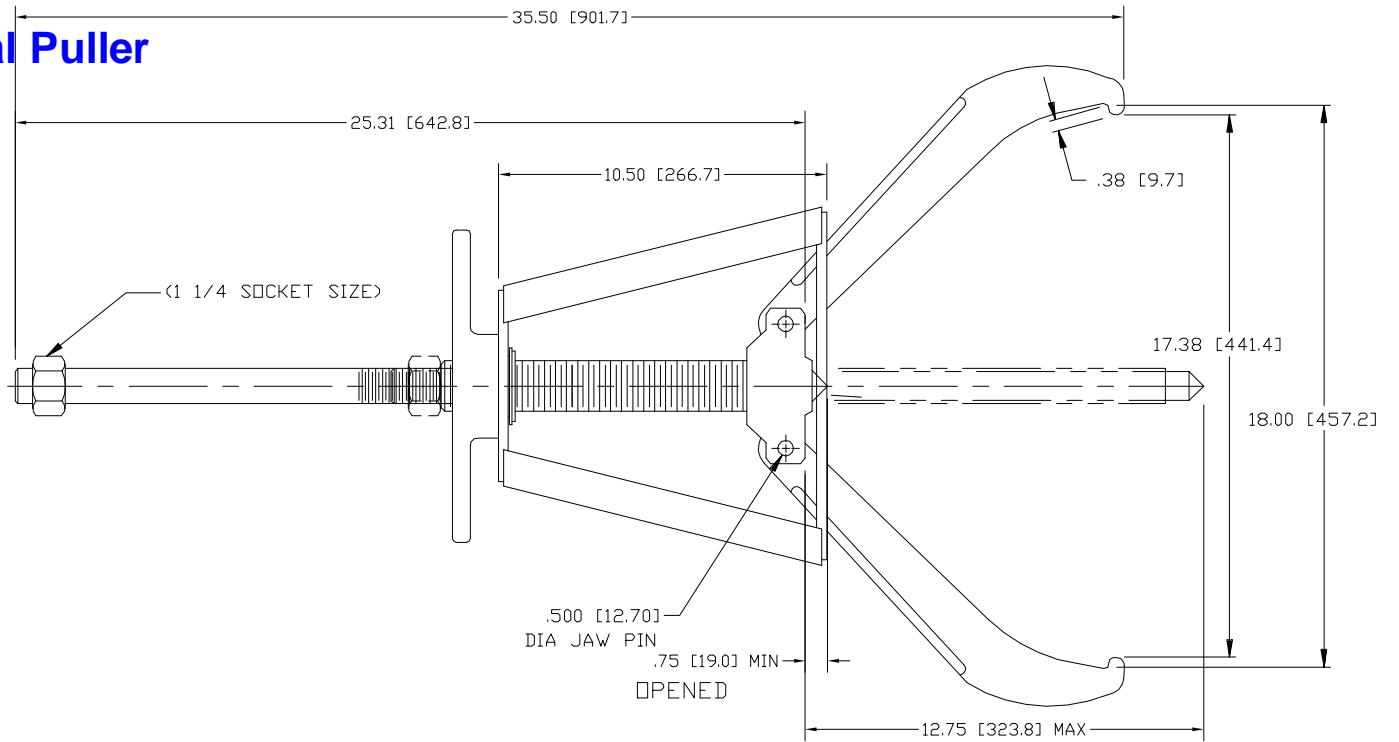
### MODEL 113

30 TON [27.3 METRIC TONS]  
3 JAW  
REACH 12.0 [304.8]  
SPREAD 2.50 [63.5] TO 18.0 [457.2]  
WT. 40 Lbs. [18.0 kg]  
MAXIMUM TORQUE  
600 FOOT POUNDS [812 N·m]

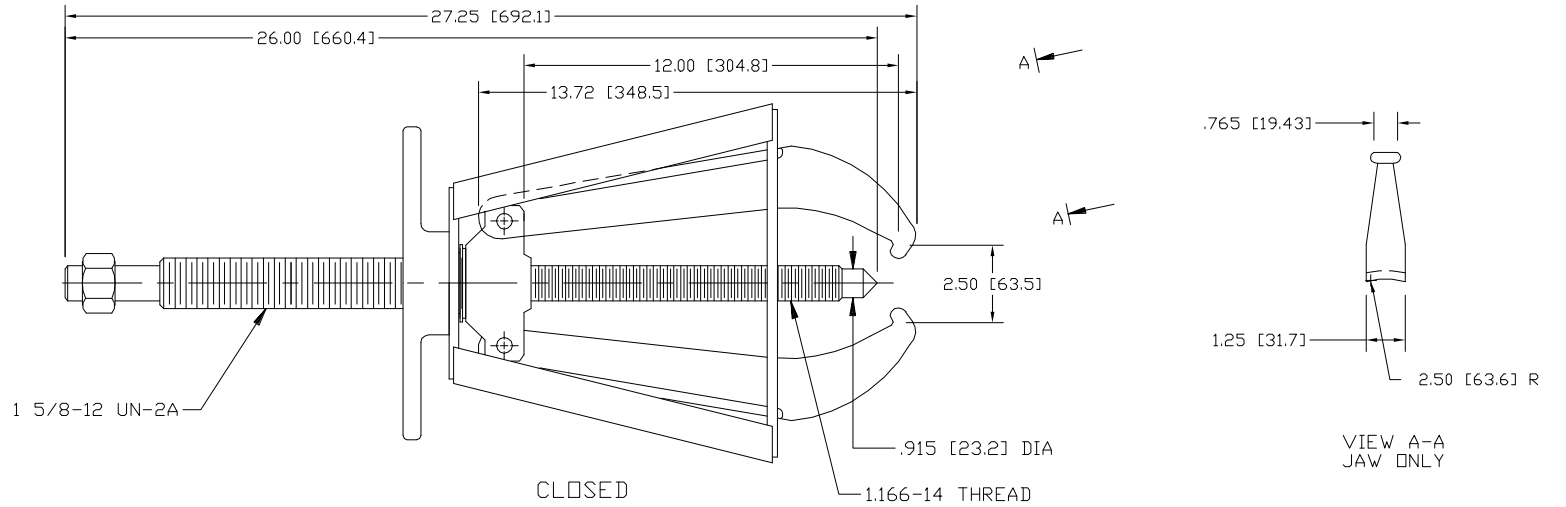
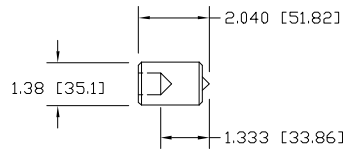
### MODEL 213

25 TON [22.5 METRIC TONS]  
2 JAW  
REACH 12.0 [304.8]  
SPREAD 2.50 [63.5] TO 18.0 [457.2]  
WT. 30 Lbs. [13.7 kg]  
MAXIMUM TORQUE  
475 FOOT POUNDS [642 N·m]

# 113 / 213 Manual Puller



SHAFT PROTECTOR



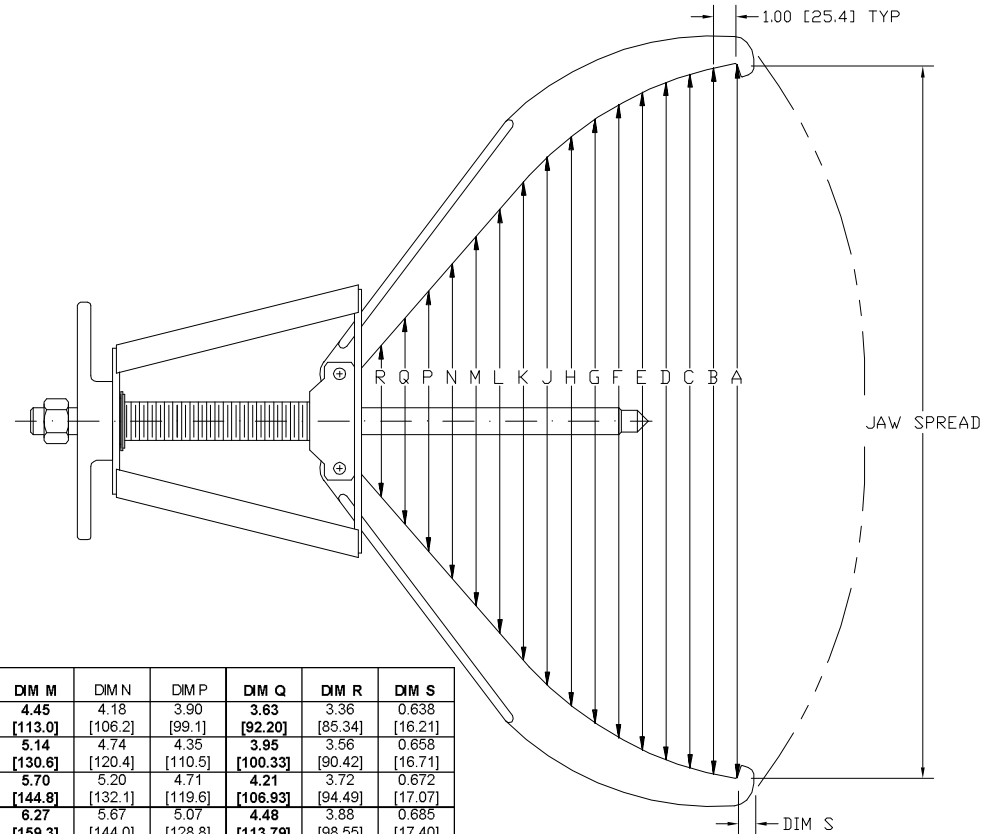
# 113 / 213 (Long Jaw)

MODEL 113

30 TON [27.3 METRIC TONS]  
 3 JAW  
 REACH 20.0 [508.0]  
 SPREAD 1.50 [38.1] TO 30.0 [762.0]  
 WT. 56.5Lbs.[25.7 kg]  
 MAXIMUM TORQUE  
 600 FOOT POUNDS [812 N·m]

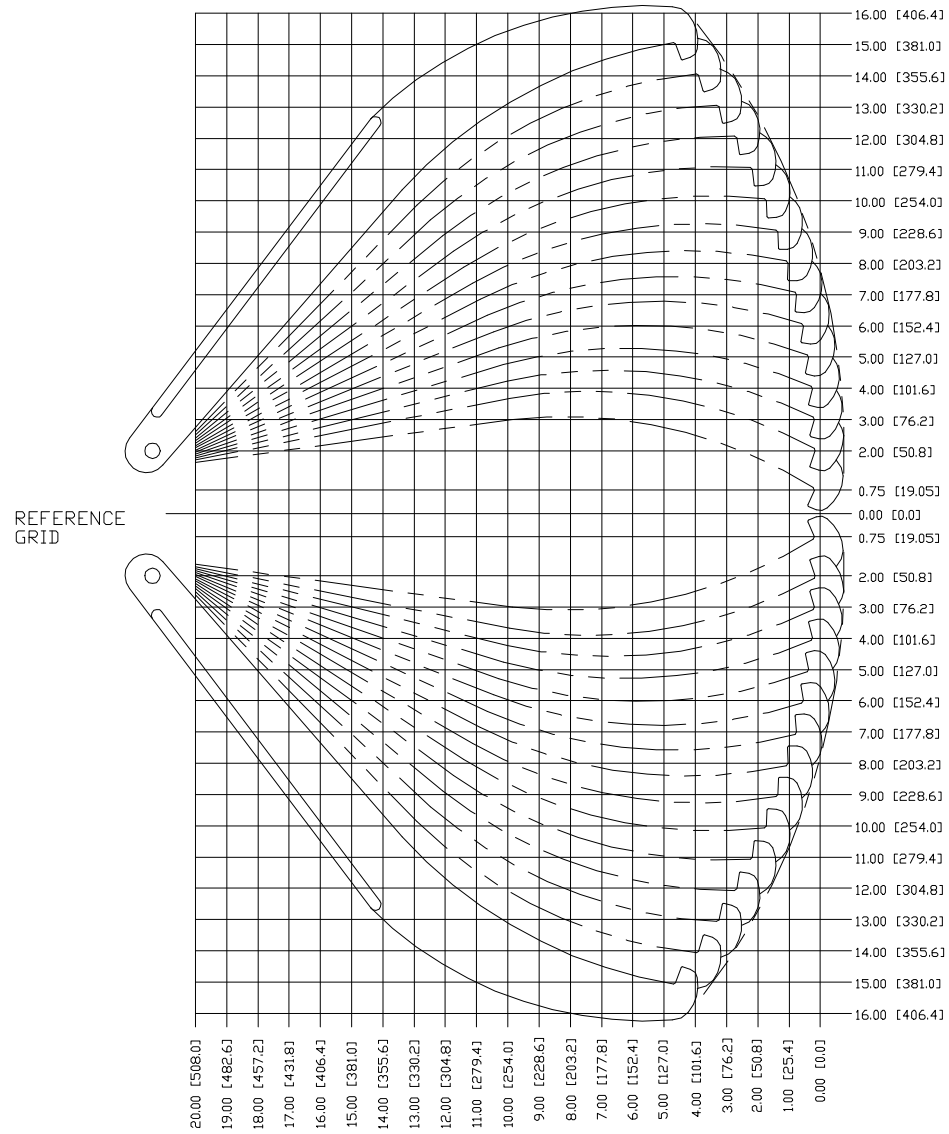
MODEL 213

25 TON [22.5 METRIC TONS]  
 2 JAW  
 REACH 20.0 [508.0]  
 SPREAD 1.50 [38.1] TO 30.0 [762.0]  
 WT. 41 Lbs. [18.5 kg]  
 MAXIMUM TORQUE  
 475 FOOT POUNDS [642 N·m]

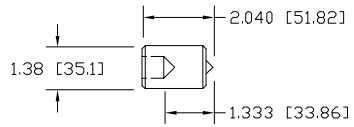


JAWSPREAD	DIM A	DIM B	DIM C	DIM D	DIM E	DIM F	DIM G	DIM H	DIM J	DIM K	DIM L	DIM M	DIM N	DIM P	DIM Q	DIM R	DIM S
1.50 [38.1]	5.36 [136.1]	5.78 [146.8]	<b>6.06</b> [153.9]	6.20 [157.5]	6.21 [157.7]	<b>6.08</b> [154.4]	5.82 [147.8]	5.55 [141.0]	<b>5.27</b> [133.9]	5.00 [127.0]	4.73 [120.1]	<b>4.45</b> [113.0]	4.18 [106.2]	3.90 [99.1]	<b>3.63</b> [92.20]	3.36 [85.34]	0.638 [16.21]
4.00 [101.6]	7.31 [185.7]	7.62 [193.5]	<b>7.79</b> [197.9]	7.82 [198.6]	7.72 [196.1]	<b>7.49</b> [190.2]	7.11 [180.6]	6.72 [170.7]	<b>6.32</b> [160.5]	5.93 [150.6]	5.53 [140.5]	<b>5.14</b> [130.6]	4.74 [120.4]	4.35 [110.5]	<b>3.95</b> [100.33]	3.56 [90.42]	0.658 [16.71]
6.00 [152.4]	8.86 [225.0]	9.08 [230.6]	<b>9.17</b> [232.9]	9.13 [231.9]	8.94 [227.1]	<b>8.63</b> [219.2]	8.17 [207.5]	7.67 [194.8]	<b>7.18</b> [182.4]	6.68 [169.7]	6.19 [157.2]	<b>5.70</b> [144.8]	5.20 [132.1]	4.71 [119.6]	<b>4.21</b> [106.93]	3.72 [94.49]	0.672 [17.07]
8.00 [203.2]	10.41 [264.4]	10.56 [268.2]	<b>10.57</b> [268.5]	10.45 [265.4]	10.19 [258.8]	<b>9.79</b> [248.7]	9.24 [234.7]	8.65 [219.7]	<b>8.05</b> [204.5]	7.46 [189.5]	6.86 [174.2]	<b>6.27</b> [159.3]	5.67 [144.0]	5.07 [128.8]	<b>4.48</b> [113.79]	3.88 [98.55]	0.685 [17.40]
10.00 [254.0]	11.98 [304.3]	12.05 [306.1]	<b>11.99</b> [304.5]	11.79 [299.5]	11.46 [291.1]	<b>10.99</b> [279.1]	10.35 [262.9]	9.65 [245.1]	<b>8.95</b> [227.3]	8.25 [209.6]	7.55 [191.8]	<b>6.85</b> [174.0]	6.15 [156.2]	5.45 [138.4]	<b>4.75</b> [120.65]	4.05 [102.87]	0.696 [17.68]
12.00 [304.8]	13.56 [344.4]	13.56 [344.4]	<b>13.43</b> [341.1]	13.17 [334.5]	12.76 [324.1]	<b>12.22</b> [310.4]	11.51 [292.4]	10.70 [271.8]	<b>9.89</b> [251.2]	9.08 [230.6]	8.27 [210.1]	<b>7.46</b> [189.5]	6.65 [168.9]	5.84 [148.3]	<b>5.03</b> [127.76]	4.22 [107.19]	0.706 [17.93]
14.00 [355.6]	15.16 [385.1]	15.10 [383.5]	<b>14.91</b> [378.7]	14.58 [370.3]	14.11 [358.4]	<b>13.49</b> [342.6]	12.71 [322.8]	11.79 [299.5]	<b>10.87</b> [276.1]	9.94 [252.5]	9.02 [229.1]	<b>8.09</b> [205.5]	7.17 [182.1]	6.24 [158.5]	<b>5.32</b> [135.13]	4.40 [111.76]	0.714 [18.14]
16.00 [406.4]	16.81 [427.0]	16.69 [423.9]	<b>16.44</b> [417.6]	16.05 [407.7]	15.51 [394.0]	<b>14.82</b> [376.4]	13.97 [354.8]	12.95 [328.9]	<b>11.90</b> [302.3]	10.85 [275.6]	9.81 [249.2]	<b>8.76</b> [222.5]	7.72 [196.1]	6.67 [169.4]	<b>5.62</b> [142.75]	4.58 [116.33]	0.720 [18.29]
18.00 [457.2]	18.49 [469.6]	18.32 [465.3]	<b>18.01</b> [457.5]	17.56 [446.0]	16.97 [431.0]	<b>16.22</b> [412.0]	15.29 [388.4]	14.17 [359.9]	<b>13.00</b> [330.2]	11.82 [300.2]	10.65 [270.5]	<b>9.47</b> [240.5]	8.30 [210.8]	7.12 [180.8]	<b>5.95</b> [151.13]	4.77 [121.16]	0.725 [18.42]
21.00 [533.4]	20.23 [513.8]	20.01 [508.3]	<b>19.65</b> [499.1]	19.15 [486.4]	18.50 [469.9]	<b>17.68</b> [449.1]	16.69 [423.9]	15.50 [393.7]	<b>14.18</b> [360.2]	12.87 [326.9]	11.55 [293.4]	<b>10.24</b> [260.1]	8.92 [226.6]	7.61 [193.3]	<b>6.29</b> [159.77]	4.97 [126.24]	0.728 [18.49]
22.00 [558.8]	22.04 [559.8]	21.77 [553.0]	<b>21.36</b> [542.5]	20.81 [528.6]	20.11 [510.8]	<b>19.24</b> [488.7]	18.19 [462.0]	16.93 [430.0]	<b>15.47</b> [392.9]	14.00 [355.6]	12.54 [318.5]	<b>11.07</b> [281.2]	9.60 [243.8]	8.13 [206.5]	<b>6.66</b> [169.16]	5.19 [131.83]	0.730 [18.54]
24.00 [609.6]	23.91 [607.3]	12.61 [320.3]	<b>23.16</b> [588.3]	22.57 [573.3]	21.82 [554.2]	<b>21.90</b> [556.3]	19.79 [502.7]	18.47 [469.1]	<b>16.89</b> [429.0]	15.26 [387.6]	13.62 [345.9]	<b>11.98</b> [304.3]	10.34 [262.6]	8.71 [221.2]	<b>7.07</b> [179.58]	5.43 [137.92]	0.729 [18.52]
26.00 [660.4]	25.88 [657.4]	25.54 [648.7]	<b>25.06</b> [636.5]	24.43 [620.5]	23.64 [600.5]	<b>22.67</b> [575.8]	21.52 [546.6]	20.14 [511.6]	<b>18.49</b> [469.6]	16.66 [423.2]	14.83 [376.7]	<b>13.01</b> [330.5]	11.18 [284.0]	9.35 [237.5]	<b>7.52</b> [191.01]	5.70 [144.78]	0.726 [18.44]
28.00 [711.2]	27.94 [709.7]	27.57 [700.3]	<b>27.06</b> [687.3]	26.40 [670.6]	25.58 [649.7]	<b>24.59</b> [624.6]	23.39 [594.1]	21.96 [557.8]	<b>20.27</b> [514.9]	18.26 [463.8]	16.22 [412.0]	<b>14.17</b> [359.9]	12.13 [308.1]	10.08 [256.0]	<b>8.04</b> [204.22]	5.99 [152.15]	0.721 [18.31]
30.00 [762.0]	30.00 [762.0]	29.74 [755.4]	<b>29.21</b> [741.9]	28.53 [724.7]	27.68 [703.1]	<b>26.66</b> [677.2]	25.43 [645.9]	23.98 [609.1]	<b>22.24</b> [564.9]	20.13 [511.3]	17.83 [452.9]	<b>15.53</b> [394.5]	13.23 [336.0]	10.93 [277.6]	<b>8.63</b> [219.20]	6.34 [161.04]	0.713 [18.11]

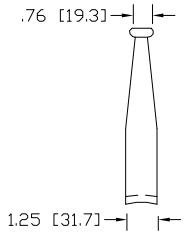
# 113 / 213 (Long Jaw)



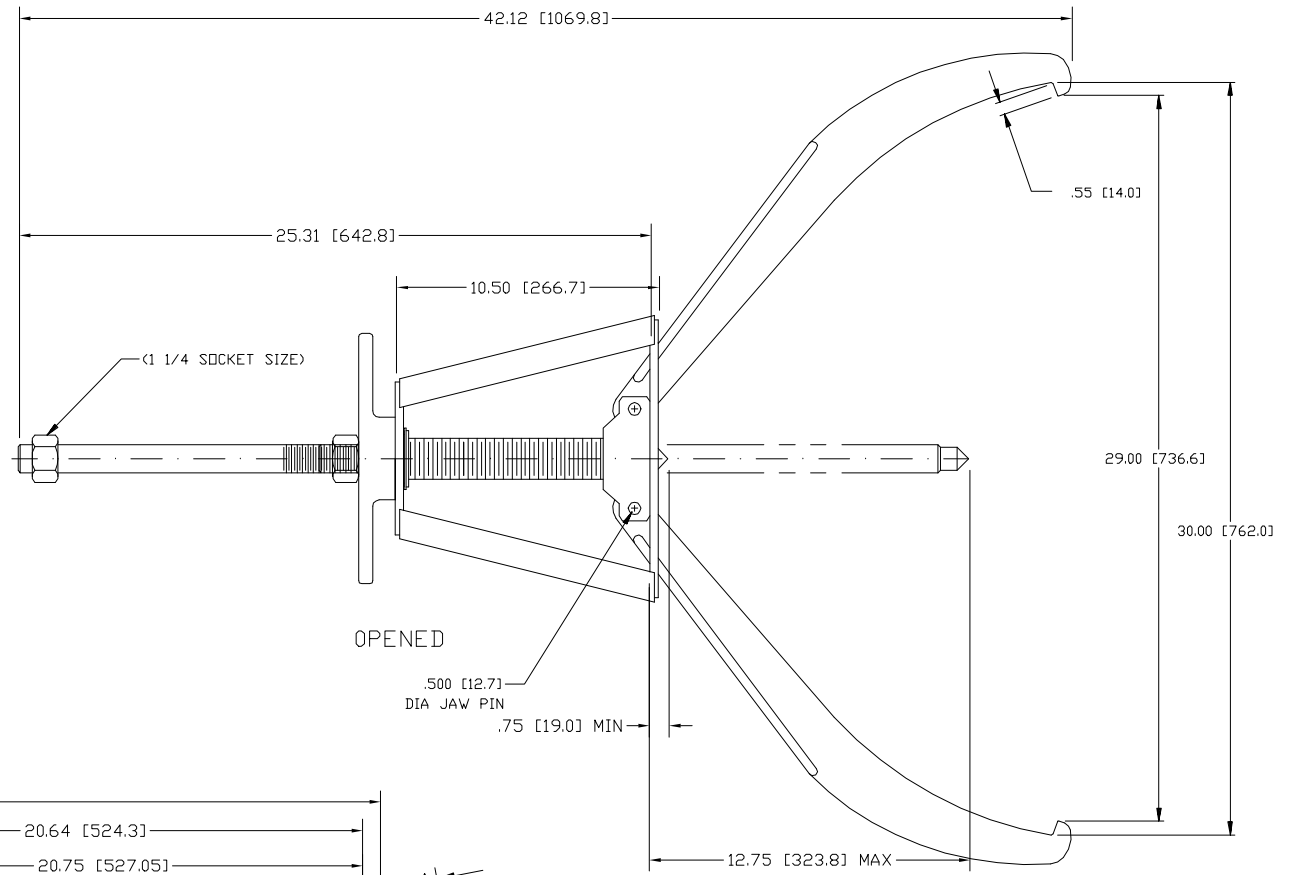
SHAFT PROTECTOR



# 113 / 213 (Long Jaw)

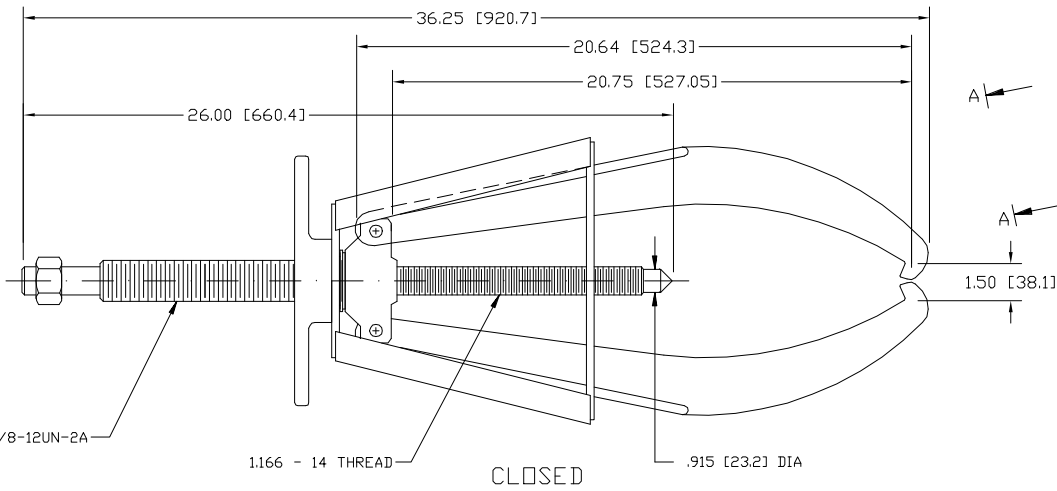


VIEW A-A  
JAW ONLY



OPENED

.500 [12.7]  
DIA JAW PIN  
.75 [19.0] MIN



CLOSED